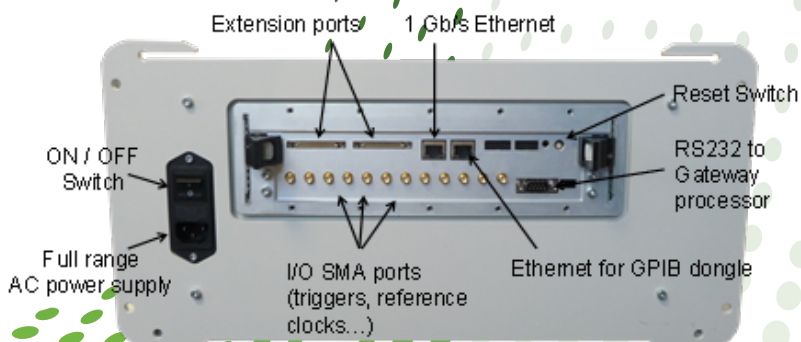


- **Desktop compatible configuration** for easy integration into engineering environments
- **Up to 256/512 pins**, compatible with low to medium pincounts, pre-series or medium scale volume production test
- **Calibration and diagnostic load board**, for easy and fast acceptance and maintenance procedures
- **5/10 slots POGO frame included**
- **Workstation and MuTool software license included**, for fully integrated test solution



Back View with Gateway Interfaces



Notes:

Extension ports enable connection between different systems

Operating Environment

Ambient Temperature: 18 °C to 26 °C (64 °F to 79 °F)

Relative Humidity: 40% to 60% non-condensing

M5S & M10S Key Features

- 5 universal slots (M-5S), 2 chainable
- 10 universal slots (M-10S)
- Dimensions:
 - Length: 73/73 cm
 - Width: 48/48 cm
 - Height: 25/50 cm
- Weight:
 - 18/36 kg (unloaded)
 - + 2.1 kg per populated slot
- 90/264 Volts 47..63 Hz AC Input
- +5, +15, - 15 Volts user power supply
- Utility bits
- Air cooled system
- Windows 7 & 10 OS
- < 800/1600 Watts power fully loaded
- Gateway interface:
 - 1 Gb/s Ethernet
 - IEE488 / GPIB Dongle